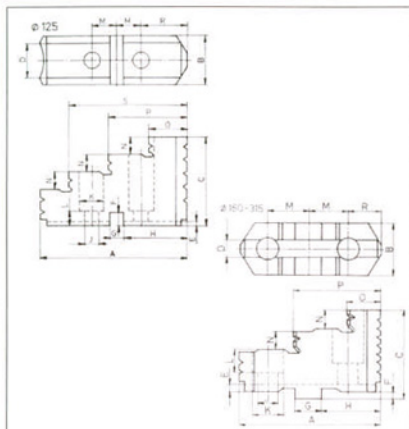
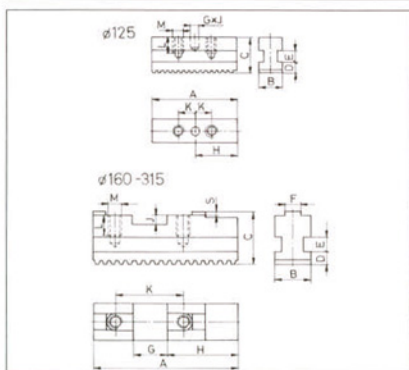

**HARD SOLID REVERSIBLE JAWS**

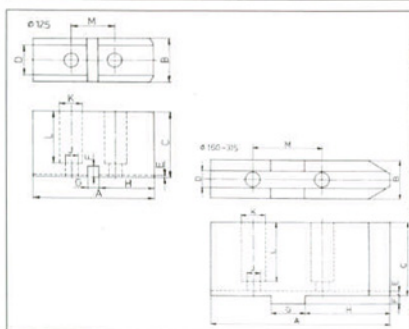
chuck size	125	160	200	250	315
A	58	69	90	108.5	132
B	14	20	22	26	32
C	40	45	50	60	70
D	6.5	7.5	8	10	12
E	7	9	9	11	14
F	7	8	11.5	14	17
G	16	26	33	36	41.5
H	32	58	72.5	83	104.5
J	48	-	-	-	-
a	8	10	12	15	20
b	12	12	15	20	20
weight approx. kg	0.4	1.0	1.5	2.6	4.4


**HARD TOP JAWS**

chuck size	125	160	200	250	315
A	59	63	72.5	91	105
B h11	20	20	22	30	35
C	36	37	43.5	55	60
D H9	14	8	10	12	12
E	1.5	3	3.5	3.5	6.5
F	5	4.5	5	5	5
G h7	5	18	20	20	26
H	26	23	27	30	35.3
J	6.4	8.4	8.4	13	13
K	10.4	13.5	13.5	19	19
L	6	8.5	9.5	26	23.5
M	10	16	20	20	27
N	7	7.5	9.5	14	15
O	16	27	33	40.5	40
P	31	40	58	81	95
R	18.5	16	17	20	21
S	47	-	-	-	-
weight approx. kg	0.18	0.25	0.35	0.50	0.80


**HARD MASTER JAWS**

chuck size	125	160	200	250	315
A	51.5	65	85	87.5	125
B	14	20	22	26	32
C	21.5	26.5	28.5	36	42
D	6.5	7.5	8	10	12
E	7	9	9	11	14
F	-	8	10	12	12
G H7 <sup>1)</sup>	5	18	20	20	26
H	25.75	28	42	41.5	69
J	7	5	5.5	5.5	7
K	10	32	40	40	54
L	10	12	12	17	17
M	M6	M8	M8	M12	M12
S	-	2.5	2.5	3	3
weight approx. kg	0.3	0.6	0.9	1.8	3.0

<sup>1)</sup> H7 without chuck size 125

**SOFT TOP JAWS**

chuck size	125	160	200	250	315
A	55	85	105	125	145
B	20	20	22	30	35
C	30	40	50	55	60
D H9	14	8	10	12	12
E	1.5	4.5	5	5	6
F	5	3	3	3.5	3.5
G h7	5	18	20	20	26
H	25	35	40	60	60
J	6.4	8.4	8.4	13	13
K	10.4	13.5	13.5	19	19
L	24	26.5	35	41	38
M	20	32	40	40	54
weight approx. kg	0.6	1.2	2.1	4.2	6.2