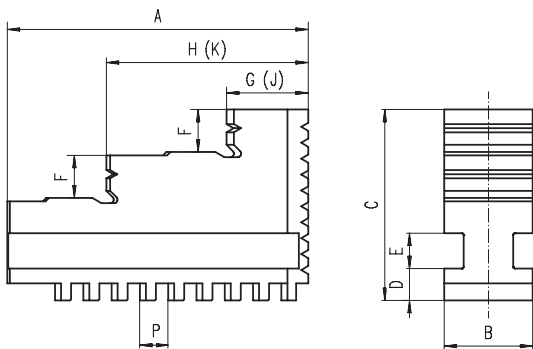
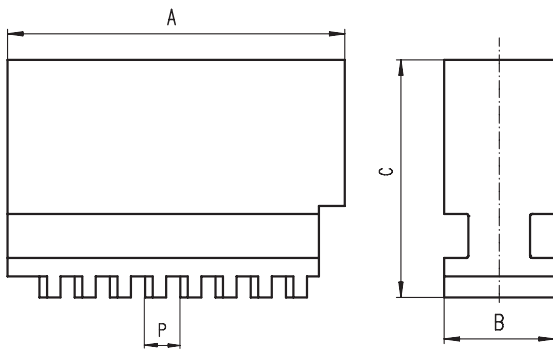


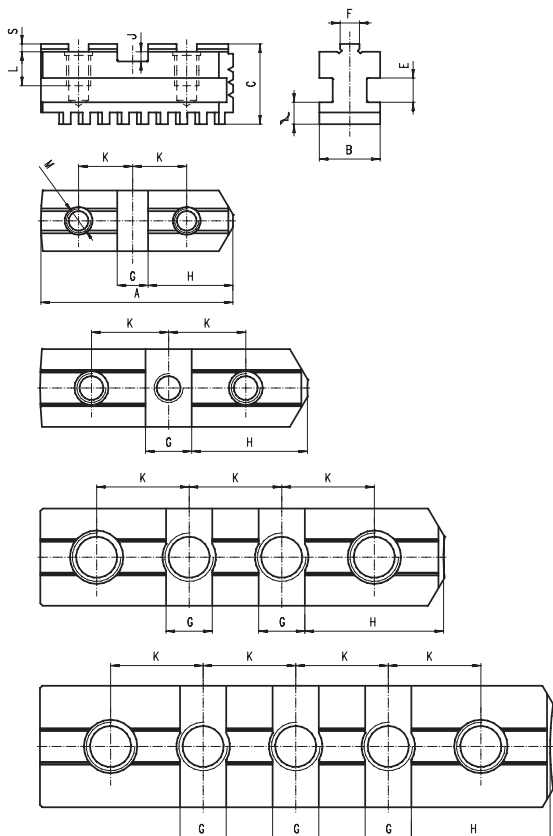
Backenabmessungen



Futter-ø	80	100	110	125	140	160
A	32	42		51		70
B	11	15		20		
C	28	32		40		53
D	6			8		
E	6			8		
F	6	7		8		10
G	9.5	11		13		19
H	21	27		33.5		45
J	9.5	12		13		22
K	21	27.5		33.5		47.5
P	4	6		7		8

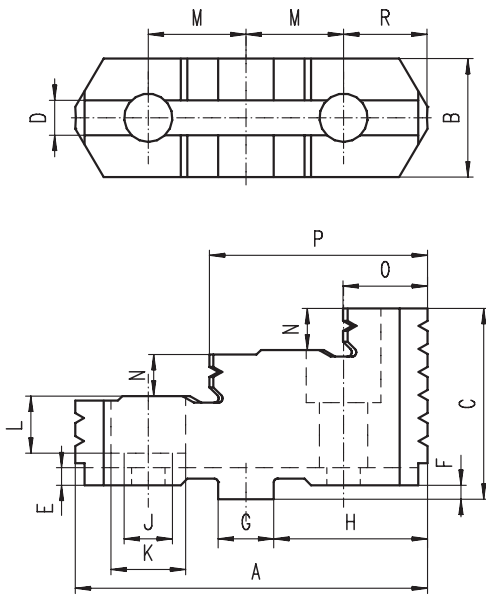


Futter-ø	200	250	315	400	500	630	800
A	85	105	125	145	180	225	225
B	25	28	32	36	40	50	
C	54	63	73	92	100	110	
D	9	11	12.7	15	16		
E	10	12		14			
F	12	14	18	22	26	28	
G	23	28	34.5	36	50	66	
H	57	69.5	83	99	119.5	149	
J	23	28	34.5	36	50	66	
K	57	69.5	83	99	119.5	149	
P	8	9	10	12	14.2		-

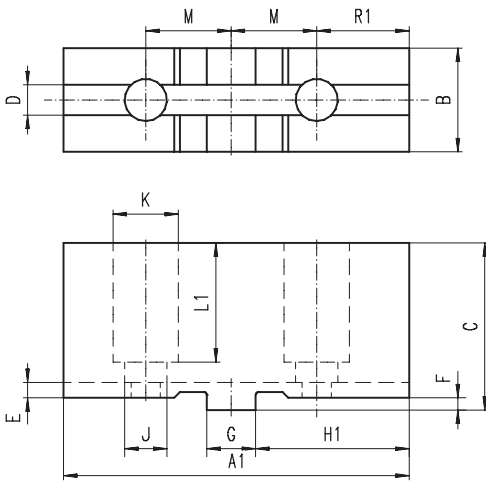


Futter-ø	125	140	160	200	250
A	54		65	79	92
B	20			25	28
C	28		29	33	36
D	8			9	11
E	8			10	12
F - 0.03	7.94				12.7
G + 0.01	12.69				19.04
H	22.6		28.6	34.9	39.7
J	4				
K	16		19.05	22.25	27
L	13.5		14		16
M	M8		M10 / M8*	M10 / M8*	M12
S	3.2				
P	7		8		9

Futter-ø	315	400	500	630	800
A	110	130	166	210	225
B	32	36	40	50	
C	40	49	54	54.5	
D	12.7	15	16		
E	12	14			
F - 0.03	12.7				
G + 0.01	19.04				
H	47.6	57.1			
J	4	7.2			
K	31.75	38.1			
L	16	22	32.5		
M	M12	M16	M20		
S	3.2				
P	10	12	14.2		-



Futter-ø	125	140	160	200	250
A	56		67	80	95
A 1	64		78	90	106
B	22		25	27	32.5
B - 2-BF	-		40		47
C	38.5		41.5	43.5	51.5
D	7.95				12.71
E	4				
F	3.2				
G	12.69				19.04
H	22.6		28.6	34.9	39.7
H 1	25		34	40	45
J	9		11		14
K	15		18		20
L	10		12		14.5
L 1	26		29	31	38
M	16		19.05	22.25	27
N	8		8.5	9.5	12
O	14.5		18	21.5	24.5
P	35		41.5	51	59
R	13		16	19	22
R 1	15		21	24	27.5



Futter-ø	315	400	500	630	800
A	110		127		
A 1	120		140	160	
B	37		42	52	
B - 2-BF	52		-		
C	55	64.5	74.5	82	
D	12.71				
E	4				
F	3.2	6.3			
G	19.04				
H	47.6	57.1			
H 1	53	63			
J	14	18	22		
K	20	26	33		
L	14.5	18.5	21		
L 1	40	45.5	56	64	
M	31.75	38.1			
N	13	13.5	17	21	
O	26.5	27	50	51	
P	68	76.5	88	89	
R	35.4	28.5			
R 1	30.7	34.4			